

Date	Order	English User name	Address
------	-------	----------------------	---------

Rear wheels

☆ 24" Ultra-light Progeo - Standard!

22" Ultra-light Progeo - Standard!

<input type="radio"/> 24" ULTRA-LIGHT PROGEO KEY SPORT	Weight reduction approx. 450gr.	04383	£ 765
<input type="radio"/> 24" Ultra-light "Spinergy LX"		01685	£ 765
<input type="radio"/> 24" Ultra-light "Spinergy LXL"	<input type="checkbox"/> Hub and spokes black	07846	£ 765
<input type="radio"/> 24" Ultra-light "Spinergy Flex rim"	<input type="checkbox"/> Black hub and white spokes	02270	£ 1200
<input type="radio"/> 24" Off-road (aluminium handrim black)	Integrated aluminium/rubber handrim	01392	£ 195
<input type="radio"/> 22" with brake handles for companion (drum brake) (aluminium handrim black)		03385	£ 315

Available only with camber 0°
Not available with Frame Dynamic 2.0°

24" with brake handles for companion (drum brake) (aluminium handrim black)

Available only with camber 0
Not available with Frame Dynamic 2.0

02103 **£ 350**

One arm drive - (24" rear wheels Aluminium handrim High pressure Tyre) - camber 0°

Right Left

Rear wheel tyre

☆ High pressure tyre (22"-24")

High pressure profile tyre (24")

<input type="radio"/> Marathon Plus (24")	with anti-puncture protection	01669	£ 55
<input type="radio"/> Solid tyre Kik Mako - Colour Black (24")		01041	£ 110
<input type="radio"/> Solid tyre Kik Mako - Colour Grey (24")		01751	£ 110
<input type="radio"/> Anti-puncture - Colour Grey (22")		04181	£ 85

Handrim - Wheel distance ☆ 3 cm 4 cm

<input type="radio"/> Aluminium (22"-24")			
<input type="radio"/> Aluminium black SOFT-TOUCH (24")		09170	£ 110
<input type="radio"/> Chromed Steel (24")		01684	£ 130
<input type="radio"/> Titanium (24")		00016	£ 240
<input type="radio"/> Ultra Grepp (24")		00017	£ 275
<input type="radio"/> Max Grepp (24")		00834	£ 305
<input type="radio"/> Ergo Para (24")		00632	£ 305
<input type="radio"/> TOP FRICTION (24")	Oval countour with a rubber insert	11023	£ 275
<input type="radio"/> NOVA H (24")	Ergonomic black profile	11025	£ 250
<input type="radio"/> Quad (24")		00693	£ 175
<input type="radio"/> Silicon cover for standard aluminium handrim	Available for measures (22"-24")	04050	£ 140

Wheel locks

☆ Bent lever push to lock

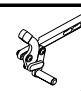
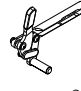
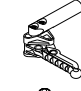
Straight lever Push to lock

Straight lever Pull to lock

Sport brake

Brake with extension lever push to lock

Brake with extension lever pull to lock

	06428	£ 110
	01949	£ 55
	03372	£ 55

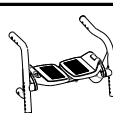
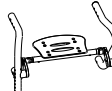
Footplate - See reference tables N°3

☆ Plastic footrest with multifunction rotative system

(Minimum footplate distance 14cm.)

One piece aluminium footplate - Flip-up! with multifunction rotative system

(Minimum footplate distance 14cm.)

Mudguard

Mudguard - FIXED

☆ ABS mudguard

ABS Straight sideguard

Carbon fibre mudguard

Carbon fibre Straight sideguard




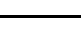

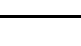
Mudguard - REMOVABLE

Removable ABS mudguard

Removable ABS fibre straight sideguard

Removable carbon fibre mudguard

Removable Carbon fibre straight sideguard

	03946	£ 275
	08918	£ 275
	08921	£ 110
	08921	£ 110
	08919	£ 380
	08920	£ 380

Rehateam s.r.l. Vicolo Negrelli, 5 - 31038 Castagnole di Paese (TV) - Tel. +39.0422.484657 / +39.0422.480367 - Fax +39.0422.484661 / +39.0422.484664
 P.IVA IT 03182520266 - C.C.I.A.A. TV n.41690 Capitale Sociale I.V. Euro 100.000,00

Email: info@rehateamprogeo.com - web: http://www.rehateamprogeo.com

Date Order English User name Address


PHYSIO - Std. Backrest upholstery not provided

Removable with quick release
Suitable for tubes with diameter 18÷26mm
Depth adjustment (4cm)
Angle adjustment (±18°)

Posture backrest KID JUNIOR VERSION

- KID** Aluminum shell

WARNING: with this backrest the seat depth is reduced by 5 cm approx.


BACKREST HEIGHT	29	34	40
Shell's shape 	Lateral retaining wing B=regular		
	R	R	R
	<input type="checkbox"/>	<input type="checkbox"/>	<input type="checkbox"/>

£ 885

Posture backrest ADULT VERSION

- AIR** Carbon shell


not available for seat width 27 - 30

BACKREST HEIGHT	28	34	40			
Shell's shape 	Lateral retaining wing A=high - R=regular					
	A	R	A	R	A	R
	<input type="checkbox"/>	<input type="checkbox"/>	<input type="checkbox"/>	<input type="checkbox"/>	<input type="checkbox"/>	<input type="checkbox"/>

£ 915

- POSTURE** Aluminum shell

not available for seat width 27 - 30

BACKREST HEIGHT	34	40	52
Shell's shape 	Lateral retaining wing B=regular		
	R	R	R
	<input type="checkbox"/>	<input type="checkbox"/>	<input type="checkbox"/>

£ 885

Configuration DEEP with side support PAD (height adjustable)

- Aluminum lateral with padded, breathable upholstery.



Small (h 13cm)



Right
10272

£ 25



Left
10272

£ 25

Large (h 20cm)



Right
10273

£ 35



Left
10273

£ 35

Rehateam s.r.l. Vicolo Nagrelli, 5 - 31038 Castagnole di Paese (TV) - Tel. +39.0422.484657 / +39.0422.480387 - Fax +39.0422.484661 / +39.0422.484684
P.IVA IT 03182520266 - C.C.I.A.A. TV n.41690 Capitale Sociale I.V. Euro 100.000,00

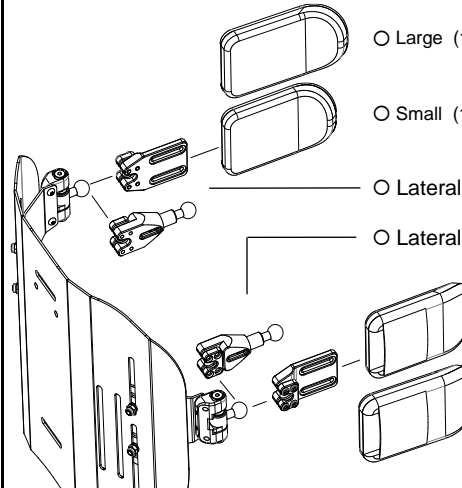
Email: info@rehateamprogeo.com - web: http://www.rehateamprogeo.com

Date Order English User name Address

Accessories

KID AIR POSTURE

SWING AWAY - Lateral support
Not available for backrest Physio AIR carbon shell
Fixing and adjustment hardware complete with protection sleeve
Alluminum lateral with padded, breathable upholstery.



<input type="radio"/> Large (18x12)	05647	£ 165
<input type="radio"/> Small (14x9)	05643	£ 165
<input type="radio"/> Lateral support extension	Quantity (number pcs).....	
<input type="radio"/> Lateral support extension	10271	£ 60
<input type="radio"/> Small (14x9)	05642	£ 165
<input type="radio"/> Large (18x12)	05646	£ 165
<input type="checkbox"/> Large (34x14)	05648	£ 220
<input type="checkbox"/> Small (28x14)		

Headrest adjustable - Double ball mounting system
Not available for backrest Physio AIR carbon shell

Rehateam s.r.l., Vicolo Negrelli, 5 - 31038 Castagnole di Paese (TV) - Tel. +39.0422.484657 / +39.0422.480387 - Fax +39.0422.484661 / +39.0422.484684
P.IVA IT 03182520266 - C.C.I.A.A. TV n.225867 - Iscr. Trib. TV n.41690 Capitale Sociale I.V. Euro 100.000,00

Email: info@rehateamprogeo.com - web: http://www.rehateamprogeo.com

Italia Certified company normative UNI EN ISO 9001

Important notices page only if any optional have been chosen




Wheelchair : EXELLE JUNIOR - Rev. 2021.2



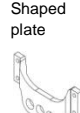

Prices in EURO - VAT excluded
to be added to the price list

- standard (supplied if no requests are indicated)
- on request (without extra charge)
- optional (cost to be added at the basic price)

Enclosure to wheelchair order form Exelle Junior

REFERENCE TABLES

1	Front height				
With closed frame (100°) max 5" caster					
FORK	Casters				
	3"	4"	5"	6"	7"
SMALL 	min. 36 max 51	min. 37 max 52	min. 38 max 53		
MEDIUM 	min. 40 max 55	min. 41 max 56	min. 42 max 57	min. 43 max 58	
LONG 	min. 44 max 59	min. 45 max 60	min. 46 max 61	min. 47 max 62	
The size of the fork will be defined only by Rehateam Progeo in accordance with wheelchair final configuration.					

2	Rear height				
	Rear frame	Rear wheels			
		22"	24"	25"	26"
STANDARD 	Straight plate 	min. 37 max 45	min. 39 max 47		
	Shaped plate 	min. 36 max 49	min. 38 max 51		
DYNAMIC 2.0 		min. 36 max 49	min. 38 max 51		

3	Footplate option	Footplate distance
	Plastic footrest	min. 14 max 40
	One piece aluminium footplate - Flip-up!	min. 14 max 40
Calculated with the best configuration and with the footplates positioned on inside.		
IMPORTANT NOTICE! From the footplate to the floor minimum 4cm.!! (Minimum Front height = DP + 4cm.)		

4	Rear wheels		
	Model	Features	Handrim and tyre
	22" Ultra-light Progeo - Standard!	(not available in anthracite color)	(aluminium handrim and high pressure tyre)
	24" Ultra-light Progeo - Standard!	(available for all colors)	(all handrim and tyre)
	24" ULTRA-LIGHT PROGEO KEY SPORT	(silver hub, black rim and 16 spokes)	(all handrim and tyre)
	24" Ultra-light "Spinergy LX"	(silver hub, black rim and spokes)	(all handrim and tyre)
	24" Ultra-light "Spinergy LXL"	(black hub and rim, 18 white spokes)	(all handrim and tyre)
	24" Ultra-light "Spinergy Flex rim"	(silver hub, black rim and spokes)	(integrated aluminium/rubber handrim - encumbrance reduction up to 3cm. - all tyre)
	24" Off-road	(colour: black)	(aluminium handrim - tyre Off-road)